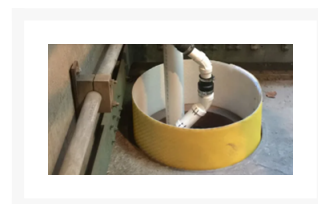
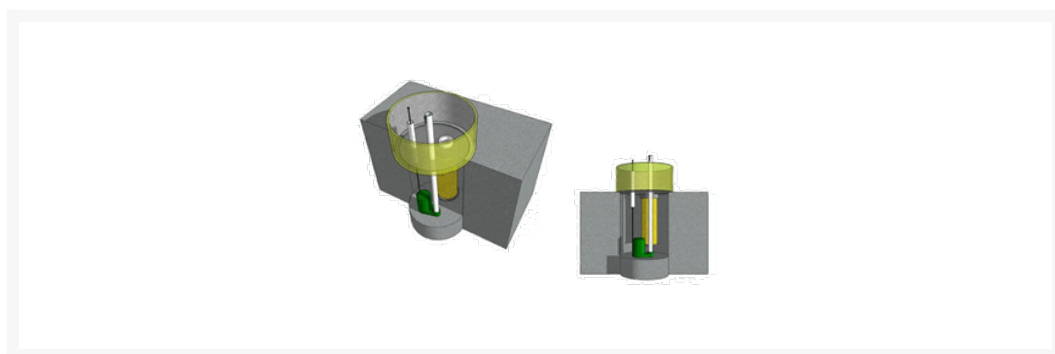


# Dewatering Pump, VIPOR-SUMP

## Product Images



## Short Description

- Compliance - The VIPOR system enables facilities to comply with EPA regulations using filtering technology that prevents and traps oil and oil sheen that is mixed into secondary containment units, underground vaults or sumps.

## Description

The VIPOR-SUMP Dewatering Pump is commonly used in transformer vaults with an existing sump crock. It polishes and traps oil and oil sheen as it drains water.

The VIPOR-SUMP is commonly used in transformer vaults with an existing sump crock. It performs the same functions as an oil water separator, with the added benefit of preventing sheen to pass.

The VIPOR-SUMP dewatering pump system polishes and captures sheen as it evacuates water with complete shutoff capabilities in the event of an oil discharge. Under normal conditions when water drains into the VIPOR-SUMP system, the vault sump filter (VSF) ring surrounding the VIPOR-SUMP unit captures large sediment and the pre-filter (25 micron) captures small sediment. Next, water enters the 6-x 18-inch HFF (Hydrocarbon Flow Filter) where hydrocarbons and most volatile organic compounds will be removed from the water to a non-detectable level while meeting federal SPCC mandates. The filtered water will then be pumped out of the system by its submersible dewatering pump.

## Specifications

---

SKU

VIPOR-SUMP